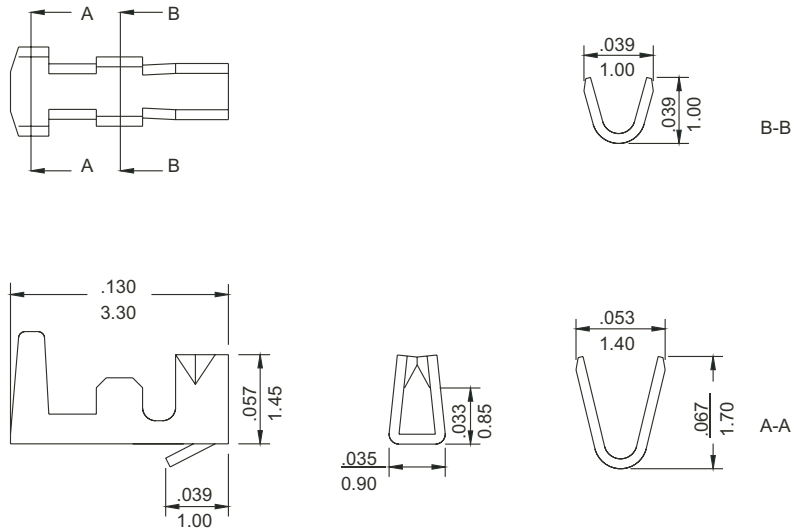


.049" (1.25mm) Wire-to-Board Crimp Terminal

125T Crimp Terminal

- * Material : Phosphor bronze
- * Current rating : 1A, AC/DC
- * Voltage rating : 125V, AC/DC
- * Applicable wire AWG #32- #28
- * Used in H125 series housings

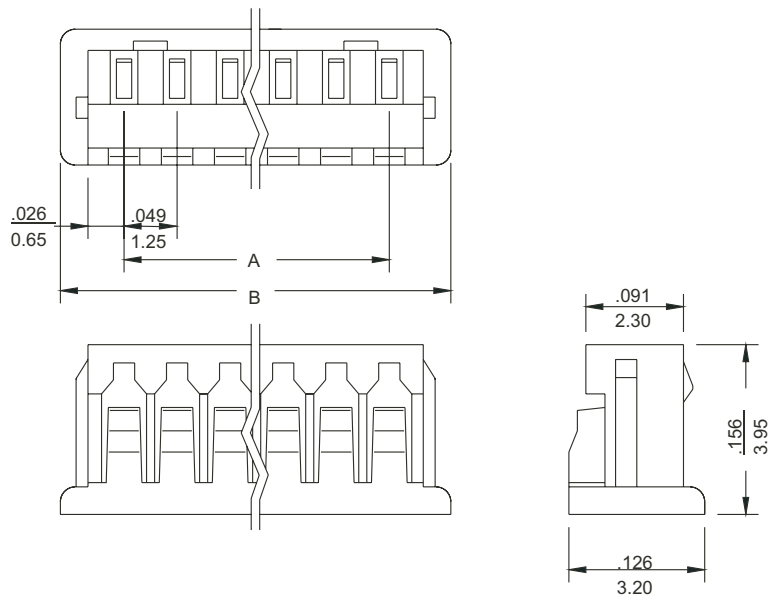
inch
mm



H125 Series Receptacle Housings

- * Material : Nylon UL 94V-0
- * Current rating : 1A, AC/DC
- * Voltage rating : 125V, AC/DC
- * Color : White
- * Accepts 125T terminal
- * Mates with H125P1 series plug housings or P125I, P125L series headers
- * 2-15 circuits available

inch
mm



Dimensional information - inch/mm (H125)

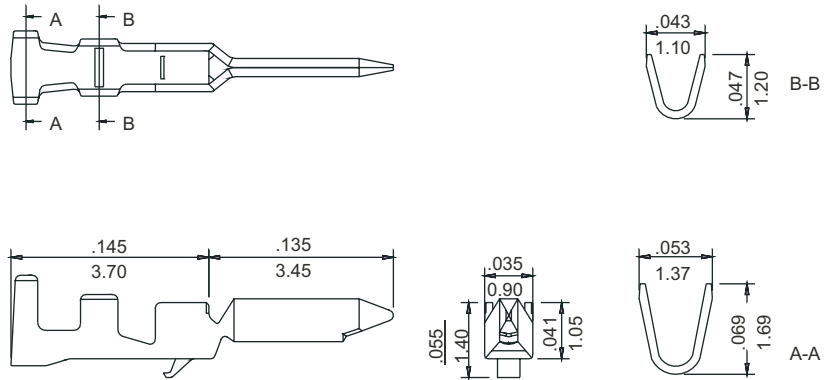
Circuits	Dim. A		Dim. B		Circuits	Dim. A		Dim. B	
	inch	mm	inch	mm		inch	mm	inch	mm
2	0.049	1.25	0.165	4.20	9	0.394	10.00	0.510	12.95
3	0.098	2.50	0.215	5.45	10	0.443	11.25	0.559	14.20
4	0.148	3.75	0.264	6.70	11	0.492	12.50	0.608	15.45
5	0.197	5.00	0.313	7.95	12	0.541	13.75	0.657	16.70
6	0.246	6.25	0.362	9.20	13	0.591	15.00	0.707	17.95
7	0.295	7.50	0.411	10.45	14	0.640	16.25	0.756	19.20
8	0.344	8.75	0.461	11.70	15	0.689	17.50	0.805	20.45

.049" (1.25mm) Wire-to-Board Crimp Terminal

125TR Crimp Terminal

- * Material : Phosphor bronze
- * Current rating : 1A, AC/DC
- * Voltage rating : 125V, AC/DC
- * Applicable wire AWG #32- #28
- * Used in H125P1 series housings

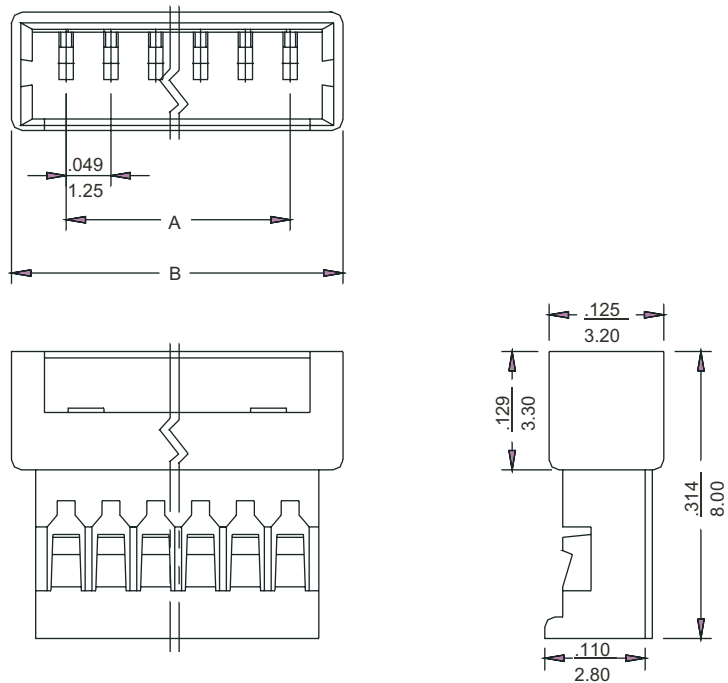
inch
mm



H125P1 Series Plug Housings

- * Material : Nylon UL 94V-0
- * Current rating : 1A, AC/DC
- * Voltage rating : 125V, AC/DC
- * Color : White
- * Accepts 125TR terminal
- * Mates with H125 series receptacle housings
- * 2-15 circuits available

inch
mm



Dimensional information - inch/mm (H125P1)

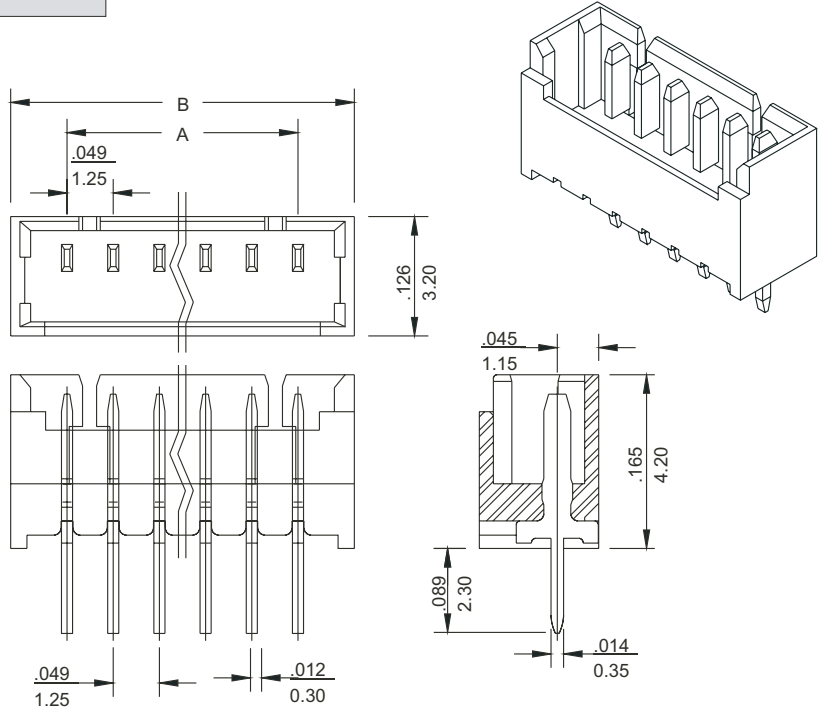
Circuits	Dim. A		Dim. B		Circuits	Dim. A		Dim. B	
	inch	mm	inch	mm		inch	mm	inch	mm
2	0.049	1.25	0.167	4.25	9	0.394	10.00	0.512	13.00
3	0.098	2.50	0.217	5.50	10	0.443	11.25	0.561	14.25
4	0.148	3.75	0.266	6.75	11	0.492	12.50	0.610	15.50
5	0.197	5.00	0.315	8.00	12	0.541	13.75	0.659	16.75
6	0.246	6.25	0.364	9.25	13	0.591	15.00	0.709	18.00
7	0.295	7.50	0.413	10.50	14	0.640	16.25	0.758	19.25
8	0.344	8.75	0.463	11.75	15	0.689	17.50	0.807	20.50

.049" (1.25mm) Wire-to-Board Header

P125I Series Straight Pin Headers

- * Material : Nylon UL 94V-0
- * Contact : Phosphor bronze
- * Current rating : 1A, AC/DC
- * Voltage rating : 125V, AC/DC
- * Mates with H125 series housings
- * 2-15 circuits available

inch
mm



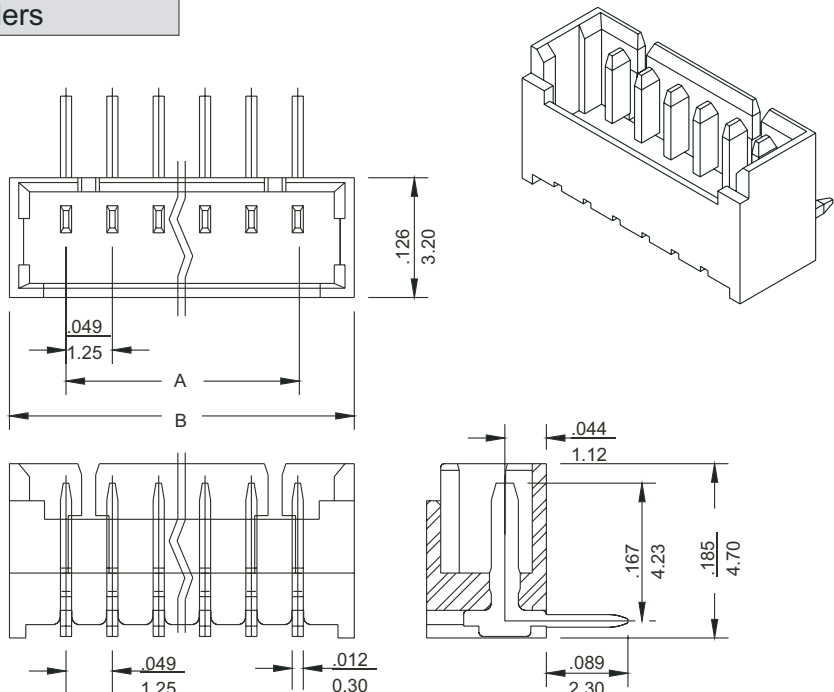
Dimensional information -inch/mm (P125I/P125L)

Circuits	Dim. A		Dim. B		Circuits	Dim. A		Dim. B	
	inch	mm	inch	mm		inch	mm	inch	mm
2	0.049	1.25	0.167	4.25	9	0.394	10.00	0.512	13.00
3	0.098	2.50	0.217	5.50	10	0.443	11.25	0.561	14.25
4	0.148	3.75	0.266	6.75	11	0.492	12.50	0.610	15.50
5	0.197	5.00	0.315	8.00	12	0.541	13.75	0.659	16.75
6	0.246	6.25	0.364	9.25	13	0.591	15.00	0.709	18.00
7	0.295	7.50	0.413	10.50	14	0.640	16.25	0.758	19.25
8	0.344	8.75	0.463	11.75	15	0.689	17.50	0.807	20.50

P125L Series Right Angle Pin Headers

- * Material : Nylon UL 94V-0
- * Contact : Phosphor bronze
- * Current rating : 1A, AC/DC
- * Voltage rating : 125V, AC/DC
- * Mates with H125 series housings
- * 2-15 circuits available

inch
mm

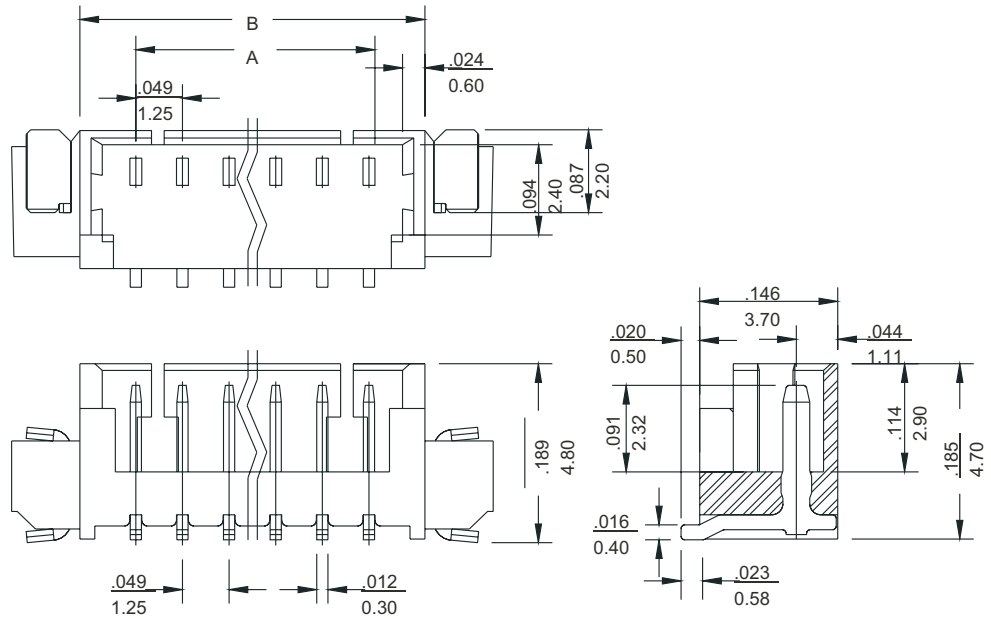


.049" (1.25mm) Wire-to-Board SMT Header

P125I SMT Series Straight Pin Headers

- * Material : Nylon UL 94V-0
- * Contact : Phosphor bronze
- * Current rating : 1A, AC/DC
- * Voltage rating : 125V, AC/DC
- * Mates with H125 series housings
- * 2-15 circuits available

inch
mm



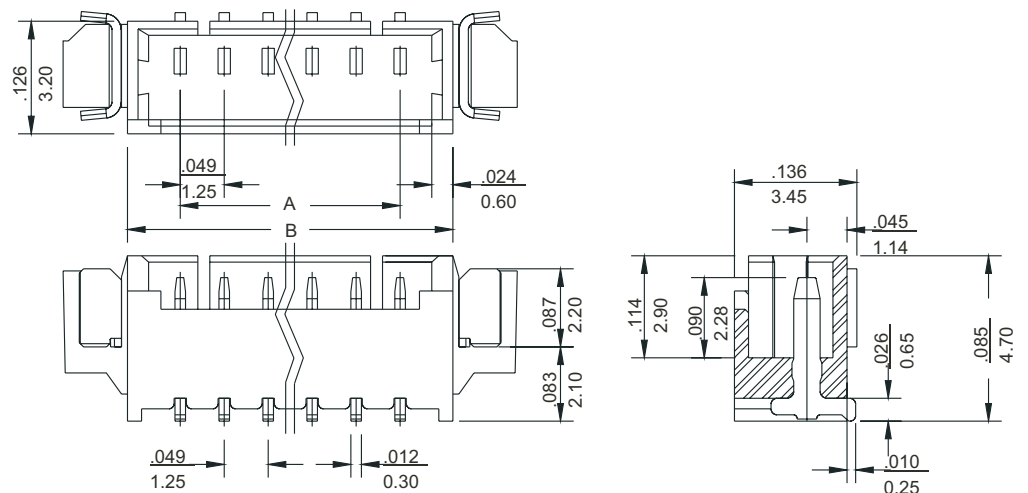
Dimensional information -inch/mm (P125I-XX-SMT/P125L-XX-SMT)

Circuits	Dim. A		Dim. B		Circuits	Dim. A		Dim. B	
	inch	mm	inch	mm		inch	mm	inch	mm
2	0.049	1.25	0.167	4.25	9	0.394	10.00	0.512	13.00
3	0.098	2.50	0.217	5.50	10	0.443	11.25	0.561	14.25
4	0.148	3.75	0.266	6.75	11	0.492	12.50	0.610	15.50
5	0.197	5.00	0.315	8.00	12	0.541	13.75	0.659	16.75
6	0.246	6.25	0.364	9.25	13	0.591	15.00	0.709	18.00
7	0.295	7.50	0.413	10.50	14	0.640	16.25	0.758	19.25
8	0.344	8.75	0.463	11.75	15	0.689	17.50	0.807	20.50

P125L SMT Series Right Angle Pin Headers

- * Material : Nylon UL 94V-0
- * Contact : Phosphor bronze
- * Current rating : 1A, AC/DC
- * Voltage rating : 125V, AC/DC
- * Mates with H125 series housings
- * 2-15 circuits available

inch
mm

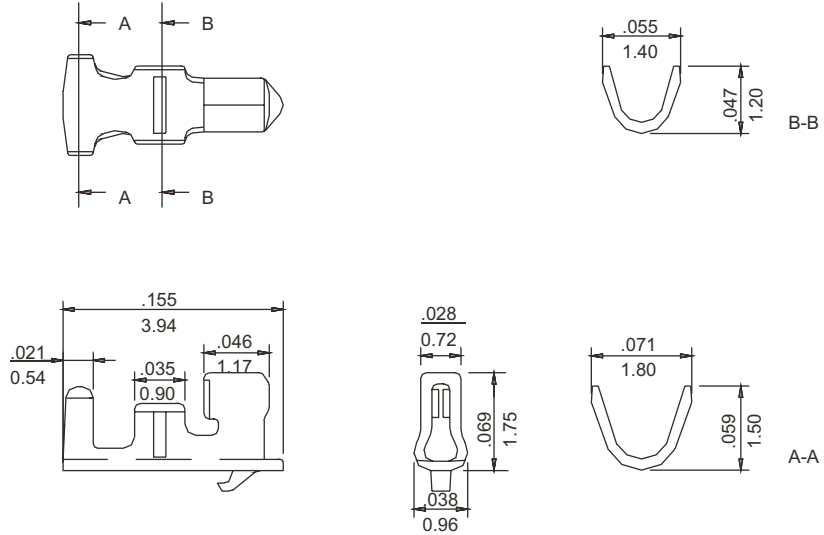


.049" (1.25mm) Crimp Terminal Housing

125J1T Crimp Terminal

- * Material : Phosphor bronze
- * Current rating : 1A, AC/DC
- * Voltage rating : 125V, AC/DC
- * Applicable wire AWG #32- #28
- * Used in H125J1 series housings

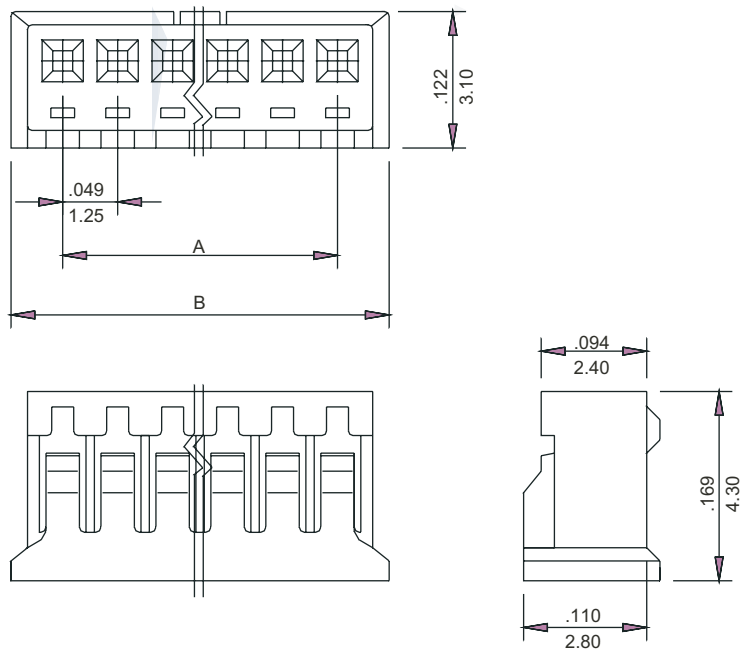
inch
mm



H125J1 Series Crimp Housings

- * Material : Nylon UL 94V-0
- * Current rating : 1A, AC/DC
- * Voltage rating : 125V, AC/DC
- * Accepts 125J1T terminal
- * 2-15 circuits available

inch
mm



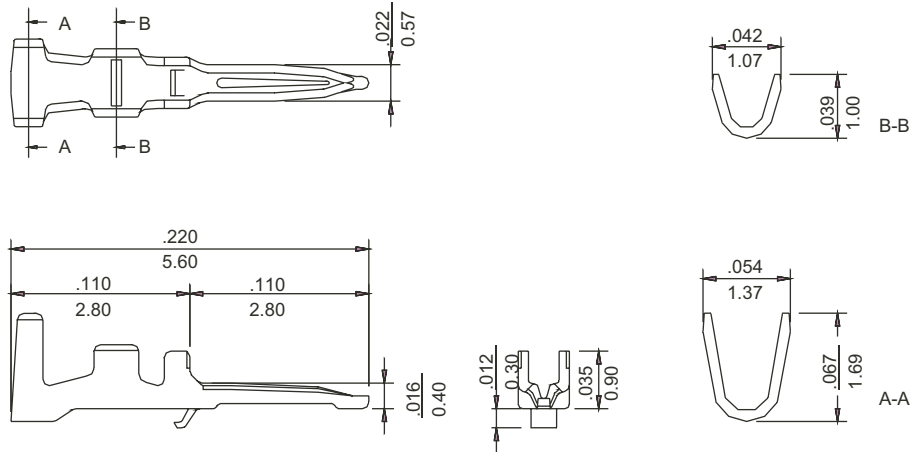
Dimensional information - inch/mm (H125J1)

Circuits	Dim. A		Dim. B		Circuits	Dim. A		Dim. B	
	inch	mm	inch	mm		inch	mm	inch	mm
2	0.049	1.25	0.142	3.60	9	0.394	10.00	0.486	12.35
3	0.098	2.50	0.191	4.85	10	0.443	11.25	0.535	13.60
4	0.148	3.75	0.240	6.10	11	0.492	12.50	0.585	14.85
5	0.197	5.00	0.289	7.35	12	0.541	13.75	0.634	16.10
6	0.246	6.25	0.339	8.60	13	0.591	15.00	0.683	17.35
7	0.295	7.50	0.388	9.85	14	0.640	16.25	0.732	18.60
8	0.344	8.75	0.437	11.10	15	0.689	17.50	0.781	19.85

.049" (1.25mm) Board-In Connector

125M1T Crimp Terminal

- * Material : Phosphor bronze
- * Current rating : 1A, AC/DC
- * Voltage rating : 125V, AC/DC
- * Applicable wire AWG #32- #28
- * Used in H125M1 series housings

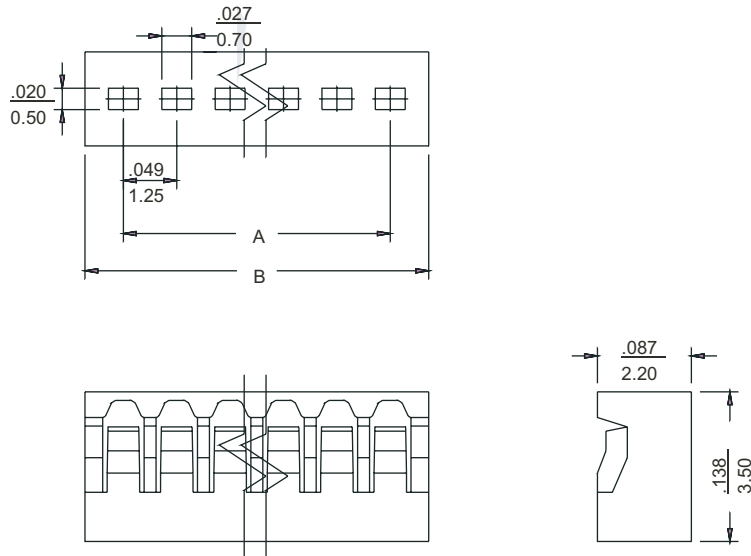


inch
mm

H125M1 Series Crimp Housings

- * Material : Nylon UL 94V-0
- * Current rating : 1A, AC/DC
- * Voltage rating : 125V, AC/DC
- * Accepts 125M1T terminal
- * 2-15 circuits available

inch
mm



Dimensional information - inch/mm (H125M1)

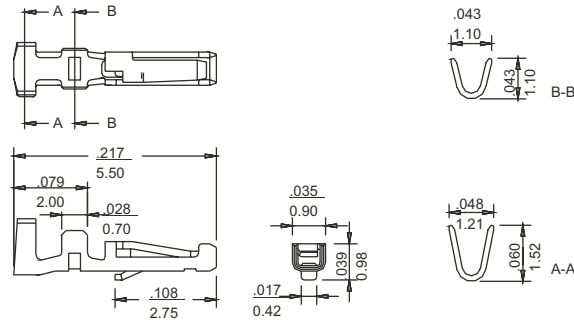
Circuits	Dim. A		Dim. B		Circuits	Dim. A		Dim. B	
	inch	mm	inch	mm		inch	mm	inch	mm
2	0.049	1.25	0.120	3.05	9	0.394	10.00	0.465	11.80
3	0.098	2.50	0.169	4.30	10	0.443	11.25	0.514	13.05
4	0.148	3.75	0.219	5.55	11	0.492	12.50	0.563	14.30
5	0.197	5.00	0.268	6.80	12	0.541	13.75	0.612	15.55
6	0.246	6.25	0.317	8.05	13	0.591	15.00	0.661	16.80
7	0.295	7.50	0.366	9.30	14	0.640	16.25	0.711	18.05
8	0.344	8.75	0.415	10.55	15	0.689	17.50	0.760	19.30

.049" (1.25mm) Wire-to-Board Terminal Housing

125M2T Crimp Terminal

- * Material : Phosphor bronze
- * Current rating : 1A, AC/DC
- * Voltage rating : 125V, AC/DC
- * Applicable wire AWG #30- #28
- * Used in H125M2 series housings

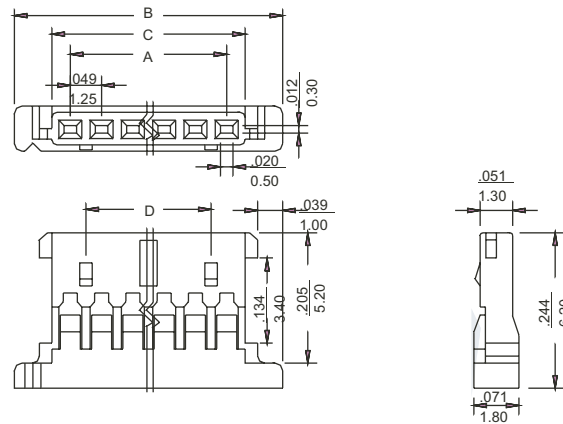
inch
mm



H125M2 Series Crimp Housings

- * Material : Nylon UL 94V-0
- * Current rating : 1A, AC/DC
- * Voltage rating : 125V, AC/DC
- * Accepts 125M2T terminal
- * Mates with P125M2L SMT series headers
- * 2-30 circuits available

inch
mm



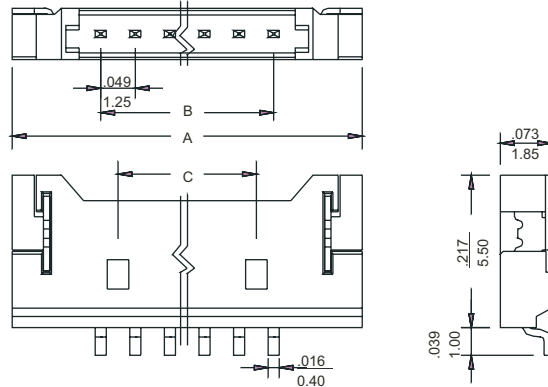
Dimensional information - inch/mm (H125M2)

Circuits	Dim. A		Dim. B		Dim. C		Dim. D		Circuits	Dim. A		Dim. B		Dim. C		Dim. D	
	inch	mm	inch	mm	inch	mm	inch	mm		inch	mm	inch	mm	inch	mm	inch	mm
2	0.049	1.25	0.225	5.72	0.107	2.72	-	-	14	0.640	16.25	0.816	20.72	0.698	17.72	0.591	15.00
3	0.098	2.50	0.274	6.97	0.156	3.97	-	-	15	0.689	17.50	0.865	21.97	0.747	18.97	0.640	16.25
4	0.148	3.75	0.324	8.22	0.206	5.22	0.098	2.50	16	0.738	18.75	0.914	23.22	0.796	20.22	0.689	17.50
5	0.197	5.00	0.373	9.47	0.255	6.47	0.148	3.75	18	0.837	21.25	1.013	25.72	0.894	22.72	0.787	20.00
6	0.246	6.25	0.422	10.72	0.304	7.72	0.197	5.00	20	0.935	23.75	1.111	28.22	0.993	25.22	0.886	22.50
7	0.295	7.50	0.471	11.97	0.353	8.97	0.246	6.25	22	1.033	26.25	1.209	30.72	1.091	27.72	0.886	22.50
8	0.344	8.75	0.520	13.22	0.402	10.22	0.295	7.50	24	1.132	28.75	1.308	33.22	1.190	30.22	0.886	22.50
9	0.394	10.00	0.570	14.47	0.452	11.47	0.344	8.75	26	1.230	31.25	1.406	35.72	1.288	32.72	0.886	22.50
10	0.443	11.25	0.619	15.72	0.501	12.72	0.394	10.00	28	1.329	33.75	1.505	38.22	1.387	35.22	0.886	22.50
12	0.541	13.75	0.717	18.22	0.599	15.22	0.492	12.50	30	1.427	36.25	1.603	40.72	1.485	37.72	0.886	22.50

P125M2L SMT Series Right Angle Pin Headers

- * Material : Nylon UL 94V-0
- * Current rating : 1A, AC/DC
- * Voltage rating : 125V, AC/DC
- * Mates with H125M2 series housings
- * 2-30 circuits available

inch
mm



Dimensional information - inch/mm (P125M2L SMT)

Circuits	Dim. A		Dim. B		Dim. C		Circuits	Dim. A		Dim. B		Dim. C	
	inch	mm	inch	mm	inch	mm		inch	mm	inch	mm	inch	mm
2	0.049	1.25	0.301	7.65	-	-	14	0.640	16.25	0.892	22.65	0.591	15.00
3	0.098	2.50	0.350	8.90	-	-	15	0.689	17.50	0.941	23.90	0.640	16.25
4	0.148	3.75	0.400	10.15	0.098	2.50	16	0.738	18.75	0.990	25.15	0.689	17.50
5	0.197	5.00	0.449	11.40	0.148	3.75	18	0.837	21.25	1.089	27.65	0.787	20.00
6	0.246	6.25	0.498	12.65	0.197	5.00	20	0.935	23.75	1.187	30.15	0.886	22.50
7	0.295	7.50	0.547	13.90	0.246	6.25	22	1.033	26.25	1.285	32.65	0.886	22.50
8	0.344	8.75	0.596	15.15	0.295	7.50	24	1.132	28.75	1.384	35.15	0.886	22.50
9	0.394	10.00	0.646	16.40	0.344	8.75	26	1.230	31.25	1.482	37.65	0.886	22.50
10	0.443	11.25	0.695	17.65	0.394	10.00	28	1.329	33.75	1.581	40.15	0.886	22.50
12	0.541	13.75	0.793	20.15	0.492	12.50	30	1.427	36.25	1.679	42.65	0.886	22.50