
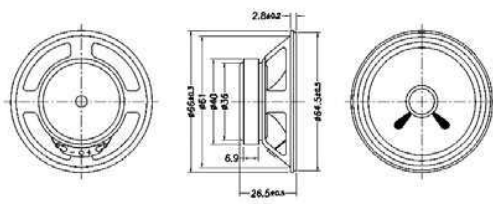
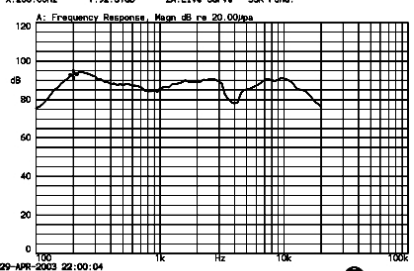

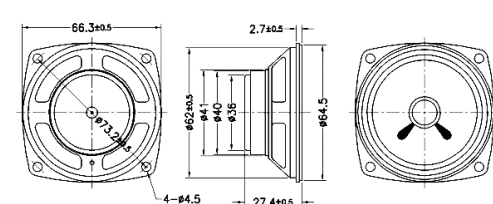
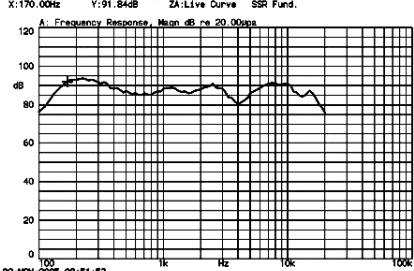

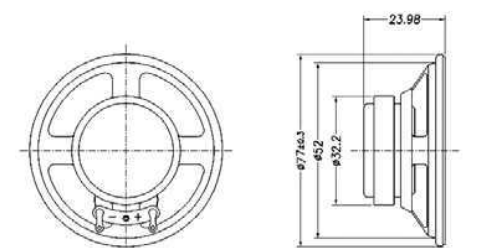
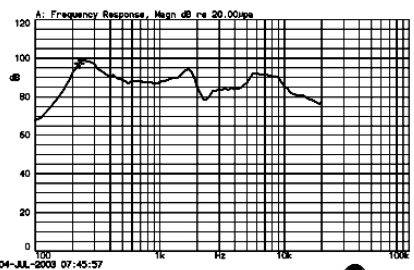

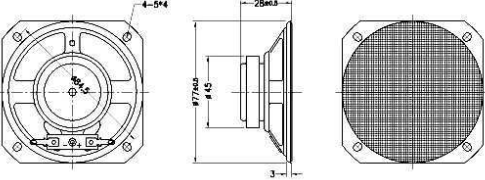
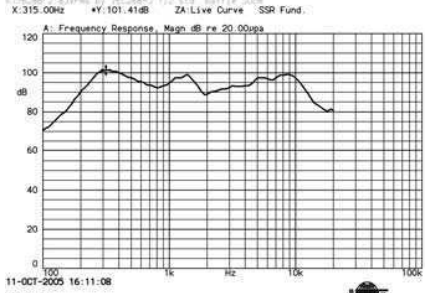

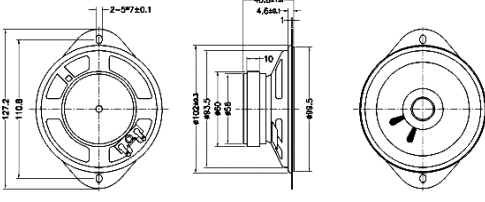
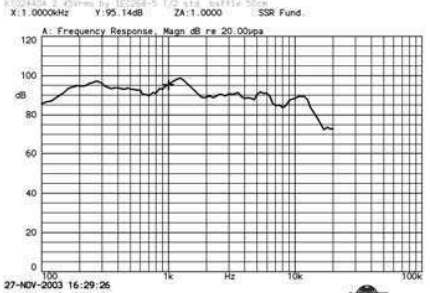

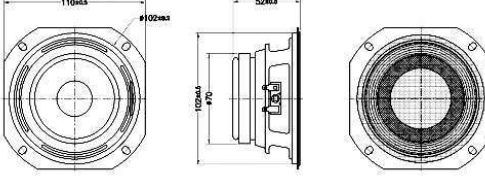
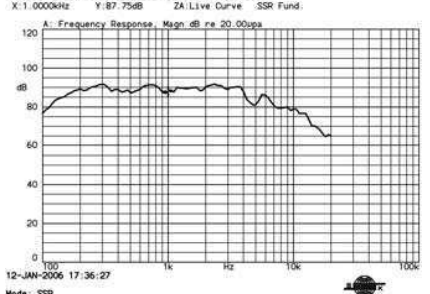


| Part No. | K66B27A | K66B28B | K77B24A |
|---------------------------|-----------------|-----------------|----------------|
| Nominal Impedance | 8Ω ± 15% | 8Ω ± 15% | 8Ω ± 15% |
| Resonant frequency(Fo) | 195Hz±20% | 170Hz±20% | 200Hz±20% |
| Effective Freq. Range | Fo~20KHz | Fo~20KHz | Fo~12KHz |
| Sound Pressure Level(dB) | 87±3dB / 50cm | 88±3dB / 50cm | 85±3dB / 50cm |
| Input Power (Nom. / Max.) | 15W / 22W | 8.0W / 10W | 0.25W / 0.5W |
| Distortion | 5%max. at 500Hz | 5%max. at 500Hz | 5%max. at 1KHz |
| Operating Temp range | -20°C ~+60°C | -20°C ~+60°C | -20°C ~+60°C |

| | | |
|-----------------------------------------------------------------------------------------------------------|-------------------------------------------------------------------------------------|--------------------------------------------------------------------------------------------------------------------------------------------------------------------------------------------------------------------------------------------------------------------------------------------------------------|
| <p>K66B27A</p>  |  | <p>K66B27A 2.83Wrms by IEC268-5 1/2 std. baffle 50cm X:200.00Hz Y:92.81dB Z:Live Curve SSR Fund. A: Frequency Response, Mean dB re 20.00µPa</p>  <p>29-APR-2003 22:00:04 Mode: SSR</p> |
| <p>K66B28B</p>  |  | <p>K66B28B 2.83Wrms by IEC268-5 1/2 std. baffle 50cm X:170.00Hz Y:91.84dB Z:Live Curve SSR Fund. A: Frequency Response, Mean dB re 20.00µPa</p>  <p>09-NOV-2005 08:51:53 Mode: SSR</p> |
| <p>K77B24A</p>  |  | <p>K77B24A 0.52Wrms by IEC268-5 1/2 std. baffle 50cm X:224.00Hz Y:97.25dB Z:Live Curve SSR Fund. A: Frequency Response, Mean dB re 20.00µPa</p>  <p>04-JUL-2003 07:45:57 Mode: SSR</p> |

| Part No. | K77B28B | K102A40A | K110B52A |
|---------------------------|----------------|-----------------|-----------------|
| Nominal Impedance | 8Ω ± 15% | 6Ω ± 15% | 8Ω ± 15% |
| Resonant frequency(Fo) | 350Hz±20% | 95Hz±20% | 120Hz±20% |
| Effective Freq. Range | Fo~16KHz | Fo~20KHz | Fo~3.3KHz |
| Sound Pressure Level(dB) | 97±3dB / 50cm | 93±3dB / 50cm | 88±3dB / 100cm |
| Input Power (Nom. / Max.) | 2.0W / 3.0W | 10W / 15W | 7.0W / 10W |
| Distortion | 5%max. at 1KHz | 5%max. at 300Hz | 5%max. at 500Hz |
| Operating Temp range | -20°C ~+60°C | -20°C ~+60°C | -20°C ~+60°C |

| | | |
|------------------------------------------------------------------------------------------------------------|-------------------------------------------------------------------------------------|---------------------------------------------------------------------------------------|
| <p>K77B28B</p>  |  |  |
| <p>K102A40A</p>  |  |  |
| <p>K110B52A</p>  |  |  |