
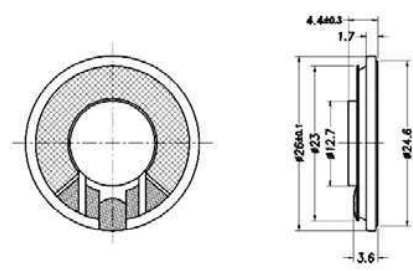
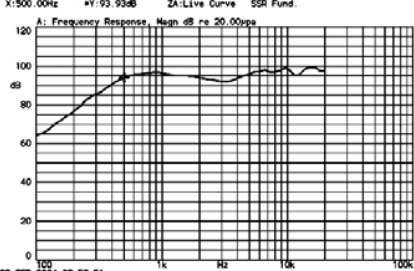

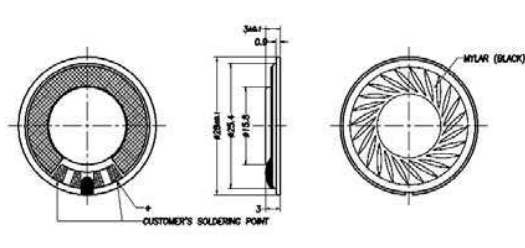
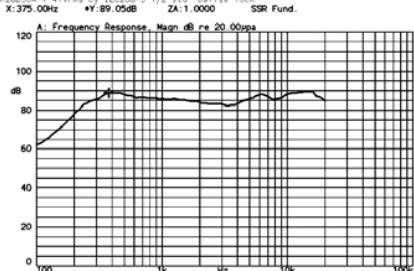

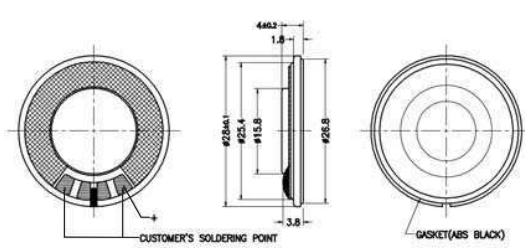
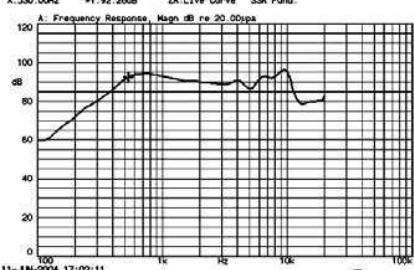

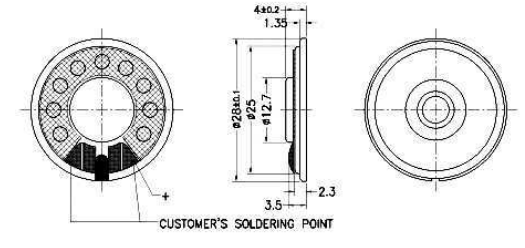
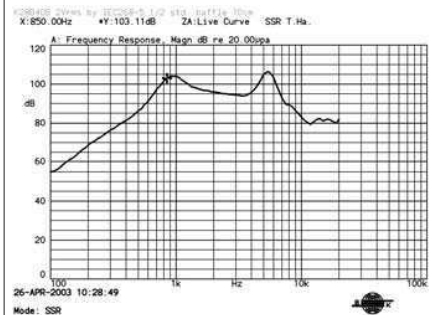

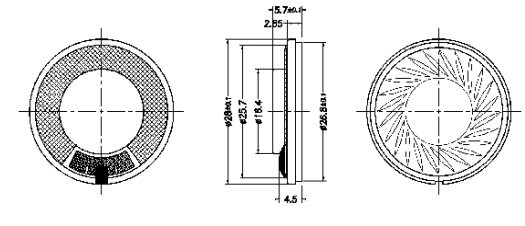
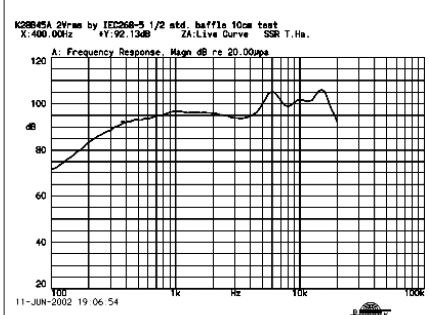


Part No.	K26B44A	K28B30A	K28B40A
Nominal Impedance	8 Ω ±15%	8 Ω ±15%	8 Ω ±15%
Resonant frequency(Fo)	500Hz±20%	375Hz±20%	540Hz±20%
Effective Freq. Range	Fo~20KHz	Fo~20KHz	Fo~20KHz
Sound Pressure Level(dB)	93±3dB / 10cm	86±3dB / 10cm	90±3dB / 10cm
Input Power (Nom. / Max.)	0.5W / 1.0W	0.25W / 0.5W	2.0W / 3.0W
Distortion	10%max. at 1KHz	10%max. at 1KHz	10%max. at 1KHz
Operating Temp range	-20°C ~+60°C	-20°C ~+60°C	-25°C ~+60°C

<p><b>K26B44A</b></p> 		<p>K26B44A 22rms by IEC268-5 1/2 std baffle 10cm        X:500.00Hz Y:93.93dB ZA:Live Curve SSR Fund.        A: Frequency Response Magn dB re 20.00µpa</p>  <p>08-SEP-2004 08:59:51        Mode: SSR</p>
<p><b>K28B30A</b></p> 		<p>K28B30A 1.41Vrms by IEC268-5 1/2 std baffle 10cm        X:375.00Hz Y:89.05dB ZA:1.0000 SSR Fund.        A: Frequency Response Magn dB re 20.00µpa</p>  <p>22-SEP-2003 17:35:43        Mode: SSR</p>
<p><b>K28B40A</b></p> 		<p>K28B40A 2.83Vrms by IEC268-5 1/2 std baffle 10cm        X:500.00Hz Y:92.26dB ZA:Live Curve SSR Fund.        A: Frequency Response Magn dB re 20.00µpa</p>  <p>11-JUN-2004 17:02:11        Mode: SSR</p>

Part No.	K28B40B	K28B45A	K30B45A
Nominal Impedance	8Ω ±15%	8Ω ±15%	8Ω ±15%
Resonant frequency(Fo)	940Hz±20%	400Hz±20%	630Hz±20%
Effective Freq. Range	Fo~20KHz	Fo~20KHz	Fo~20KHz
Sound Pressure Level(dB)	95±3dB / 10cm	95±3dB / 10cm	95±3dB / 10cm
Input Power (Nom. / Max.)	0.5W / 1.0W	0.5W / 1.0W	0.5W / 0.7W
Distortion	5%max. at 2KHz	10%max. at 2KHz	5%max. at 1KHz
Operating Temp range	-25°C ~+60°C	-25°C ~+60°C	-25°C ~+60°C

<p><b>K28B40B</b></p> 		
<p><b>K28B45A</b></p> 		
<p><b>K30B45A</b></p> 