
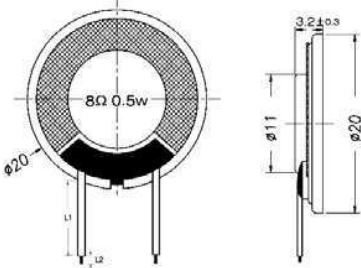
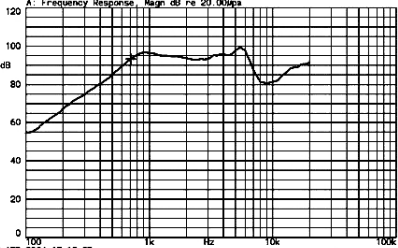

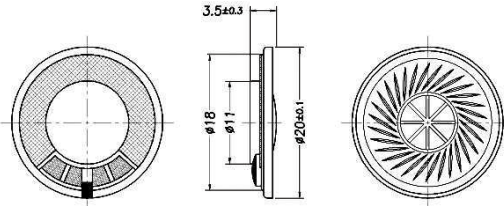
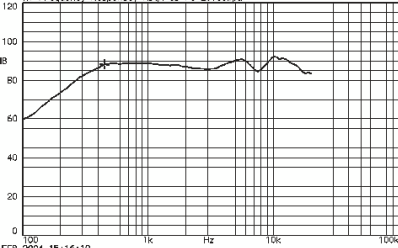

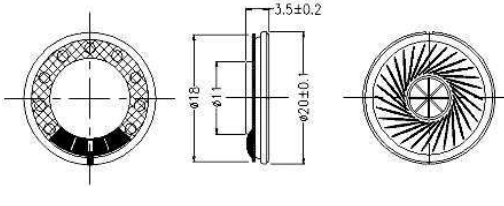
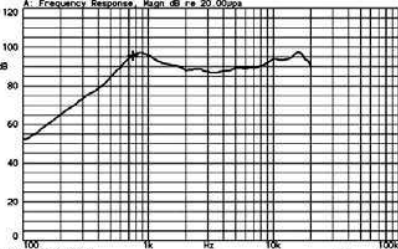

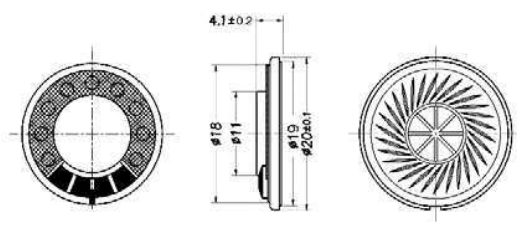
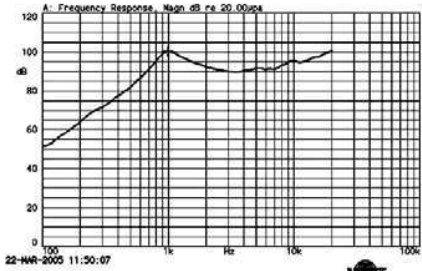

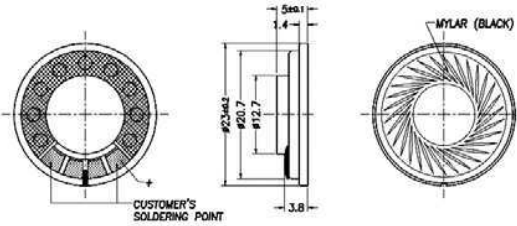
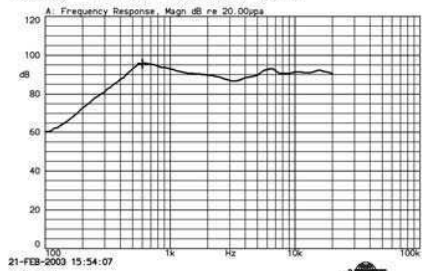

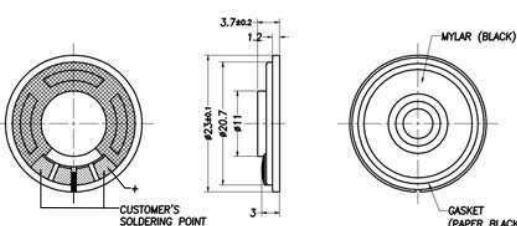
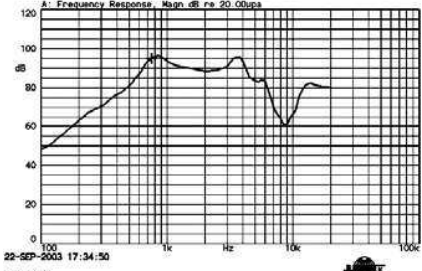


Part No.	K20B31B-WA	K20B35A	K20B35C
Nominal Impedance	8Ω ±15%	8Ω ±15%	8Ω ±15%
Resonant frequency(Fo)	700Hz±20%	450Hz±20%	750Hz±20%
Effective Freq. Range	Fo~5.5KHz	Fo~20KHz	Fo~20KHz
Sound Pressure Level(dB)	93±3dB / 10cm	88±3dB / 10cm	90±3dB / 10cm
Input Power (Nom. / Max.)	0.5W / 0.8W	0.3W / 0.5W	0.5W / 1.0W
Distortion	10%max. at 1KHz	5%max. at 1.5KHz	5%max. at 1.5KHz
Operating Temp range	-20°C ~+60°C	-25°C ~+60°C	-20°C ~+60°C

<p><b>K20B31B-WA</b></p> 		<p>K20B31B wa 20rms by IEC268-5 1/2 std. baffle 10cm        X:710.00Hz Y:93.23dB ZA:Live Curve SSR Fund.        A: Frequency Response, Magn dB re 20.00µpa</p>  <p>08-APR-2004 17:12:35        Mode: SSR</p>
<p><b>K20B35A</b></p> 		<p>K20B35A wa 20rms by IEC268-5 1/2 std. baffle 10cm        X:450.00Hz Y:88.15dB ZA:Live Curve SSR Fund.        A: Frequency Response, Magn dB re 20.00µpa</p>  <p>10-FEB-2004 15:16:12        Mode: SSR</p>
<p><b>K20B35C</b></p> 		<p>K20B35C wa 20rms by IEC268-5 1/2 std. baffle 10cm        X:750.00Hz Y:95.61dB ZA:Live Curve SSR Fund.        A: Frequency Response, Magn dB re 20.00µpa</p>  <p>02-AUG-2004 13:57:37        Mode: SSR</p>

Part No.	K20B41A	K23B50A	K23D37A
Nominal Impedance	8Ω ±15%	8Ω ±15%	32Ω ±15%
Resonant frequency(Fo)	1004Hz±20%	600Hz±20%	790Hz±20%
Effective Freq. Range	Fo~20KHz	Fo~20KHz	Fo~20KHz
Sound Pressure Level(dB)	95±3dB / 10cm	90±3dB / 10cm	94±3dB / 10cm
Input Power (Nom. / Max.)	1.0W / 1.2W	0.3W / 0.5W	0.1W / 0.2W
Distortion	5%max. at 2KHz	10%max. at 1KHz	10%max. at 2KHz
Operating Temp range	-20°C ~+60°C	-20°C ~+60°C	-20°C ~+60°C

<p><b>K20B41A</b></p> 		<p>420B41A 2 Drivers by ICC268-S 1/2 side baffle 10cm        X:1.0000kHz Y:100.15dB ZA:Live Curve SSR Fund.        A: Frequency Response Magn dB re 20.00µPa</p>  <p>22-MAR-2005 11:50:07        Mode: SSR</p>
<p><b>K23B50A</b></p> 		<p>423B50A 1.42 Drivers by ICC268-S 1/2 side baffle 10cm        X:600.00Hz Y:95.69dB ZA:Live Curve SSR T.Ha.        A: Frequency Response Magn dB re 20.00µPa</p>  <p>21-FEB-2003 15:54:07        Mode: SSR</p>
<p><b>K23D37A</b></p> 		<p>423D37A 1.79 Drivers by ICC268-S 1/2 side baffle 10cm        X:750.00Hz Y:94.86dB ZA:1.0000 SSR Fund.        A: Frequency Response Magn dB re 20.00µPa</p>  <p>22-SEP-2003 17:34:50        Mode: SSR</p>